



Hybrid V-Belt
AVANCE BELT

AVANCE Belt

Revolutionary dry running
CVT BELT



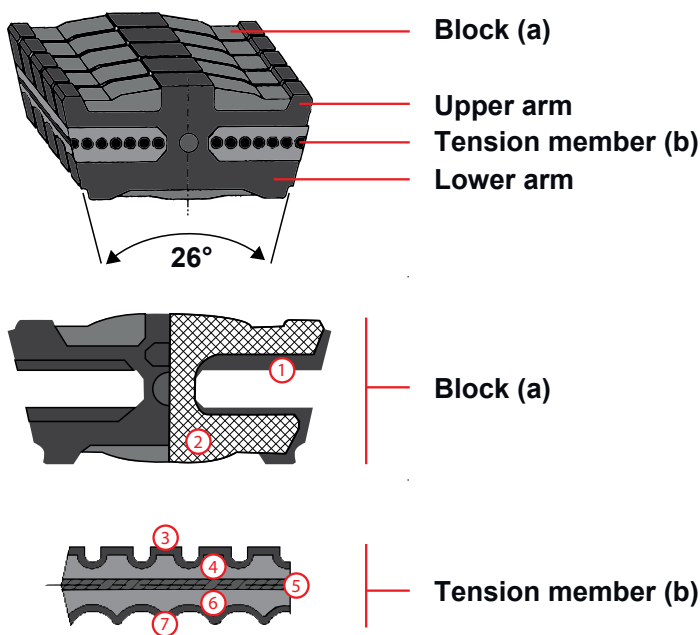
AVANCE Belt

BANDO AVANCE is a revolutionary dry running CVT belt which eliminates the need for oil cooling in automatic power transmission systems.



STRUCTURE

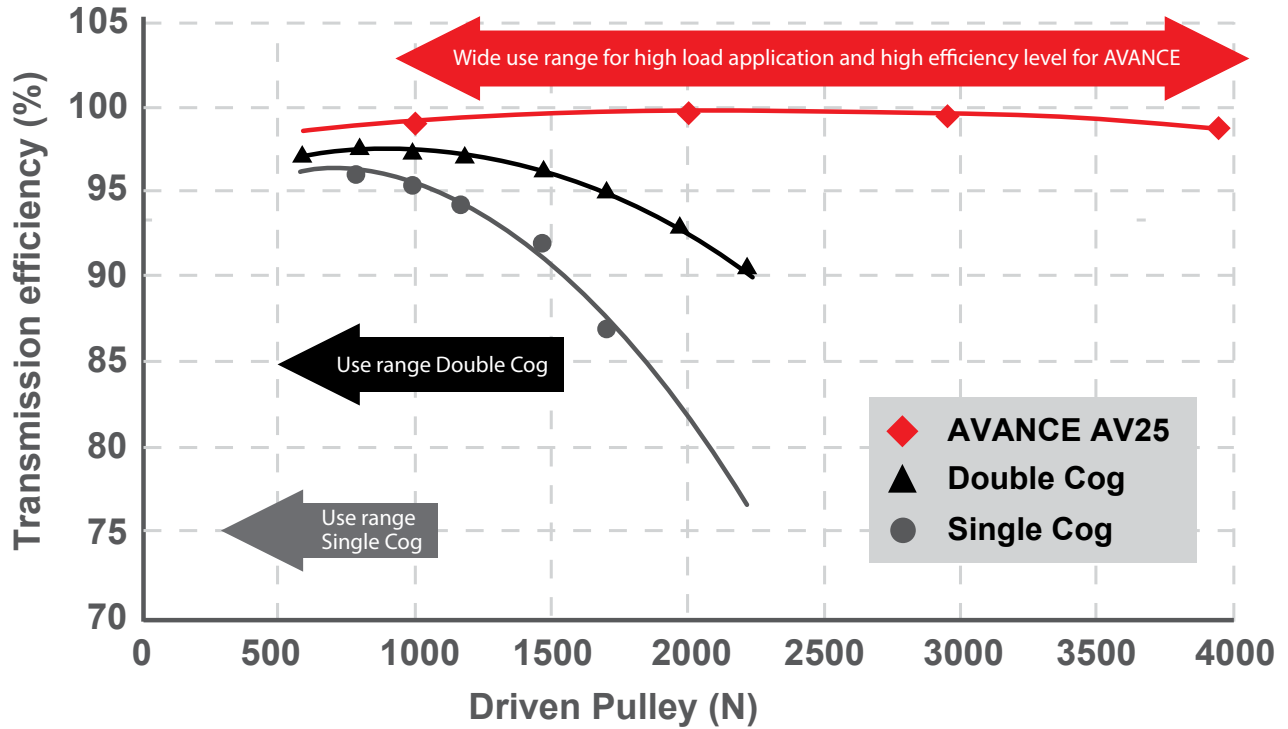
AVANCE is a hybrid V-belt which combines H-shaped muscle composites and twin tension members. This structural composition is a unique Bando design, which offers low heat, high velocity, and high-torque power transmission.



Nr.	Parts	Description
1	Resin	Thermosetting Resin
2	Plate	Aluminum alloy
3	Canvas	Polyamide Canvas
4	Rubber	Heat resistance Rubber
5	Cord	Aramid Cord
6	Rubber	Heat resistance Rubber
7	Canvas	Polyamide Canvas

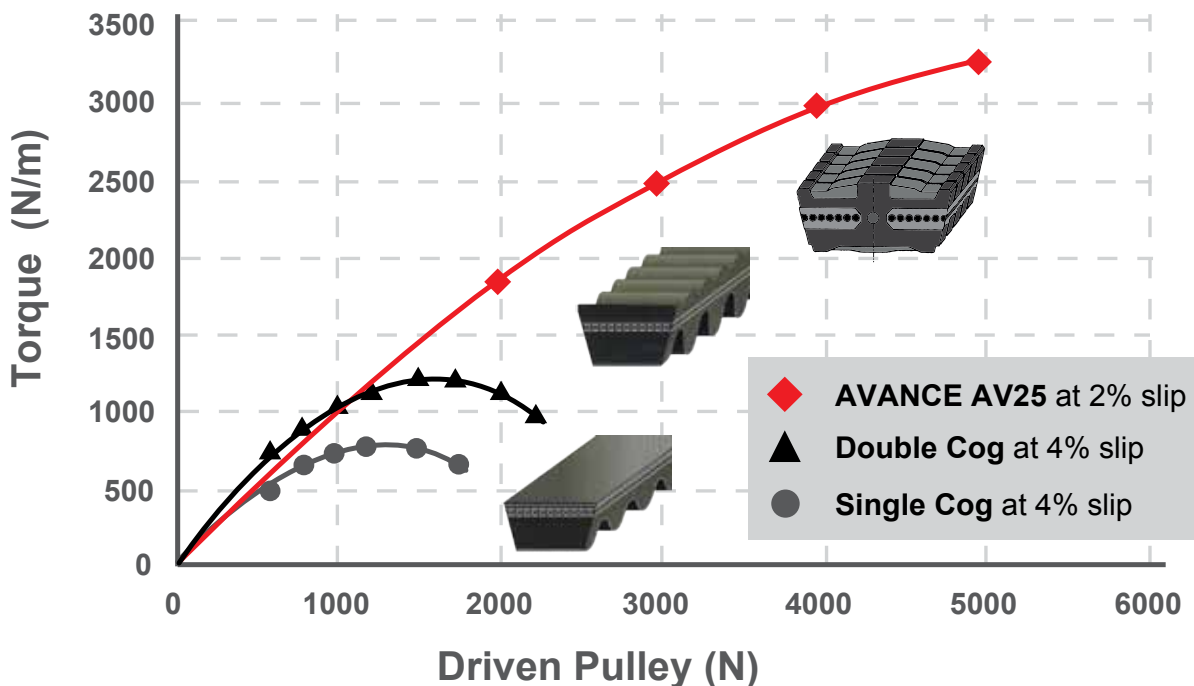
BANDO AVANCE BELT EFFICIENCY

Transmission efficiency AVANCE



TRANSMISSION ABILITY

Comparison of maximum Torque





Hybrid V-Belt AVANCE BELT

FEATURES

- Highly efficient power transmission
- The belt's grip on the pulley is so firm that slippage is almost totally eliminated
- The low-heat generating structure enables full-capacity engine utilization, thus
- Reducing energy costs
- Low noise
- Smooth transmission allows calm and quiet driving
- Lightweight application
- Minimal heat generation, so power can be transmitted without cooling accessories, which simplifies the structural design, and allows light weight automatic transmission



* Please note that this catalogue is reserved to changes. All data in this publication have been compiled and checked with utmost diligence, nevertheless errors and mistakes cannot be totally excluded. Do not duplicate or copy any part or contents without the permission of Bando Europe GmbH.